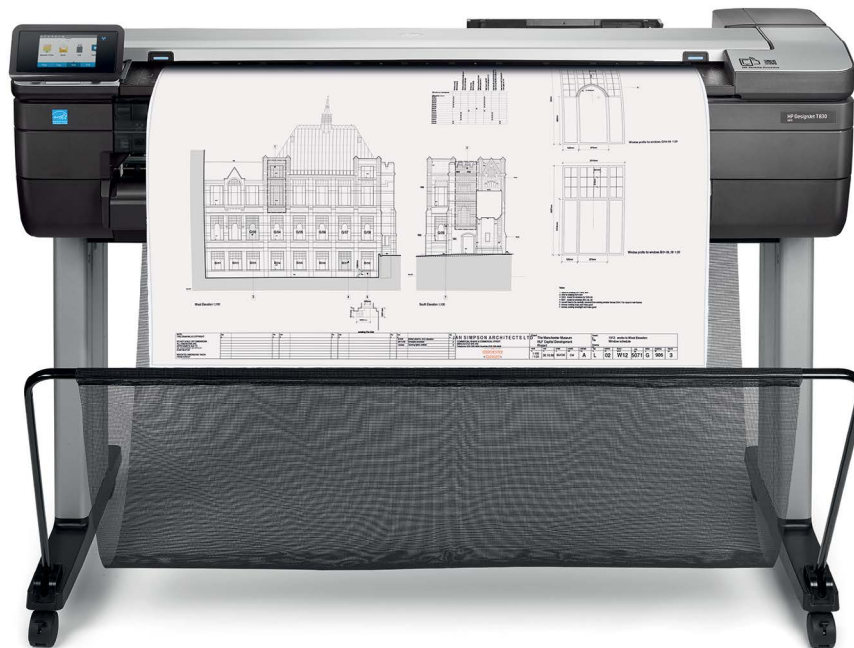




HP DesignJet T830 36-in Multifunction Printer

The smart choice for architecture and construction offices ready to evolve

Communicate more effectively—no learning curve needed—with print plus scan and copy capabilities



CONVENIENT—Fast, agile, intuitive print/scan/copy

- Enjoy easy installation in the office, construction job site with the most compact 36-in large-format MFP¹
- Easily print project sets and PDF documents with HP Click printing software
- Anyone can print smoothly from a smartphone or tablet with HP Mobile Printing²
- Fit your print volume—choose from a variety of 40/130/300-ml color and 69/300-ml black HP ink cartridges

TRUSTED—HP DesignJet quality and reliability

- Get HP DesignJet quality also in small-format sizes—print half-size documents with 50-sheet A4/A3 input tray
- Smart scanning technology protects originals from damage when scanning and obtains precise colors
- Achieve precise lines up to 0.1% line accuracy³, sharp detail up to 2400 dpi or down to 0.02 mm line width
- Reinforced design and strong legs for easy transport and use at the job site

COMMUNICATION—Immediately share meeting results

- Use built-in scanner to copy and distribute sketches and hand-annotated drawings to peers/partners right away
- Share drawings immediately—scan/email from front panel, use HP Smart app⁴ to email contacts, post to cloud
- Easily link your computer, smartphone, or tablet to the printer with Wi-Fi Direct
- No learning curve—with the intuitive design of a single touchscreen, you can scan, copy, and share instantly

Dynamic security enabled printer. Cartridges using a non-HP chip might not work and those that work today might not work in the future. More at: hp.com/go/learnaboutesupplies

For more information, please visit
hp.com/go/designjetT830

¹ The HP DesignJet T830 24-inch and 36-inch Multifunction Printers are the most compact large-format devices performing print/scan/copy functions based on H x W x L specifications published as of May, 2017.

² Local printing requires mobile device and printer to be on the same network (usually Wi-Fi access points bridge wireless to wired connections) or have a direct wireless connection. Wireless performance is dependent on physical environment and distance from access point. Wireless operations are compatible with 2.4 GHz operations only. Remote printing requires an Internet connection to an HP web-connected printer. Wireless broadband use requires separately purchased service contract for mobile devices. Check with service provider for coverage and availability in your area. See <http://www.hp.com/go/designjetmobility> for more details.

³ +/-0.1% of the specified vector length or +/-0.2 mm (whichever greater) at 23° C (73° F), 50-60% relative humidity, on A1/D HP printing material in Best mode with HP Heavyweight roll feed and Original HP Bright Office Inks.

⁴ The HP Smart app is available for Apple® iPad, iPhone, and iPod Touch running iOS v7.0 or later and for Android™ mobile devices running Android™ v4.4 or later. The HP Smart app is available for free from the Apple® App Store for Apple® mobile devices and from the Google Play Store for Android™ mobile devices.

Technical specifications

Print	Line drawings ⁵	25 sec/page on A1/D, 82 A1/D prints per hour	
	Print resolution	Up to 2400 x 1200 optimized dpi	
	Margins (top x bottom x left x right)	Roll: 5 x 5 x 5 x 5 mm (0.2 x 0.2 x 0.2 x 0.2 in) Sheet: 5 x 5 x 5 x 5 mm (0.2 x 0.2 x 0.2 x 0.2 in)	
	Ink types	Dye-based (C, M, Y); pigment-based (mK)	
	Printheads	1 (C, M, Y, mK)	
	Line accuracy	+/- 0.1% ⁶	
	Minimum line width	0.02 mm (0.0008 in) (HP-GL/2 addressable)	
	Guaranteed minimum line width	0.07 mm (0.0028 in) (ISO/IEC 13660:2001(E)) ⁷	
	Media	Handling	Sheet feed, roll feed, input tray, media bin, automatic cutter
		Weight	60 to 280 g/m ² (roll/manual feed); 60 to 220 g/m ² (input tray)
Size		Rolls: 279 to 914 mm (11 to 36 in) Sheets: 210 x 279 to 914 x 1897 mm (8.3 x 11 to 36 x 74.7 in) Standard sheets: A4, A3, A2, A1, A0 (A, B, C, D, E)	
Scan	Scan speed	Color: up to 3.81 cm/sec (1.5 in/sec) Grayscale: up to 11.43 cm/sec (4.5 in/sec)	
	Scan/copy resolution	600 dpi	
	Maximum scan	Size: 914mm x 2.77m (36x109in) Thickness: 0.8 mm (0.03 in)	
Copy	Reduction/enlargement	50 to 400%	
	Maximum copies	Up to 99 copies	
	Copier settings	Content type, Lighter/Darker, Background noise removal, Background color removal, Blue print invert, Translucent media, Color, Scan full width (36-in), Auto De-skew, Resize, Copy Margins, Quality	
Applications	Line drawings, Renderings, Presentations		
Memory	1 GB		
Connectivity	Interfaces (standard)	Gigabit Ethernet (1000Base-T); Wi-Fi 802.11b/g/n; Wi-Fi Direct	
	Print languages (standard)	TIFF, JPEG, CALS G4, HP PCL 3 GUI, HP-GL/2, HP-RTL, URF	
	Printing paths	Windows and Mac printer drivers, Apple AirPrint, HP Print Service Plugin for Android, HP Print for Chrome app for Chrome OS	
	Mobile printing capability features	Direct print for mobile apps for iOS, Android and Chrome OS; email printing with HP ePrint and HP Smart app for iOS and Android	
	Drivers (included)	Raster driver for Windows and macOS; HP-GL/2, HP-RTL drivers for Windows	
Dimensions (w x d x h)	Printer	1403 x 629 x 1155 mm (55.2 x 24.8 x 45.5 in)	
	Shipping	1578 x 570 x 645 mm (62.5 x 22.4 x 25.4 in)	
Weight	Printer	62.5 kg (137.8 lb)	
	Shipping	85 kg (187.4 lb)	
What's in the box	HP DesignJet T830 36-in MFP, printhead, ink cartridges, printer stand, spindle, quick reference guide, setup poster, startup software, power cord, refeed preventers		
Software included	HP Click printing software, HP DesignJet Utility for Mac and Windows		
Environmental ranges	Operating temperature:	5 to 40°C (41 to 104°F)	
	Storage temperature:	-25 to 55°C (-13 to 131°F)	
	Operating humidity:	20 to 80% RH	
Acoustic	Sound pressure:	48 dB(A) (printing); < 16 dB(A) (sleep)	
	Sound power:	6.5 B(A) (printing); < 3.4 B(A) (sleep)	
Power consumption		35 watts (printing), 3.5 watts (sleep), 0.2 watts (standby)	
	Input voltage (auto ranging):	100 to 240 VAC (+/- 10%), 50/60 Hz (+/- 3 Hz), 1.2 A max	
Certification	Safety	USA and Canada (CSA certified), EU (LVD and EN 60950-1 compliant), Russia (EAC), Singapore (PSB), China (CCC), India (BIS)	
	Electromagnetic	Compliant with Class B requirements, including: USA (FCC rules), Canada (ICES), EU (EMC/R&TTE Directives), Australia (ACMA), New Zealand (RSM), China (CCC), Japan (VCCI); Certified as Class A product: Korea (KCC)	
	Environmental	ENERGY STAR, EPEAT Silver, CE marking (including RoHS, WEEE, REACH). In compliance with WW RoHS materials restriction requirements in China, Korea, India, Vietnam, Turkey, Serbia, and Ukraine	
Warranty	Two-year limited warranty. Warranty and support options vary by product, country and local legal requirements.		

Dynamic security enabled printer. Only intended to be used with cartridges using an HP original chip. Cartridges using a non-HP chip may not work, and those that work today may not work in the future. More at: hp.com/go/learnaboutsupplies



Ordering information

Product	F9A30B	HP DesignJet T830 36-in Multifunction Printer
Accessories	B3Q37A	HP DesignJet 36-in Spindle
	N7P47AA	HP USB 3.0 to Gigabit Adapter
	N9M07A	HP DesignJet Rugged Case
Original HP printhead	F9J81A	HP 729 DesignJet Printhead Replacement Kit
Original HP ink cartridges	F9J61A	HP 728 40-ml Yellow DesignJet Ink Cartridge
	F9J62A	HP 728 40-ml Magenta DesignJet Ink Cartridge
	F9J63A	HP 728 40-ml Cyan DesignJet Ink Cartridge
	F9J64A	HP 728 69-ml Matte Black DesignJet Ink Cartridge
	F9J65A	HP 728 130-ml Yellow DesignJet Ink Cartridge
	F9J66A	HP 728 130-ml Magenta DesignJet Ink Cartridge
	F9J67A	HP 728 130-ml Cyan DesignJet Ink Cartridge
	F9J68A	HP 728 300-ml Matte Black DesignJet Ink Cartridge
	F9K15A	HP 728 300-ml Yellow DesignJet Ink Cartridge
	F9K16A	HP 728 300-ml Magenta DesignJet Ink Cartridge
F9K17A	HP 728 300-ml Cyan DesignJet Ink Cartridge	
Original HP large format printing materials	C1861A	HP Bright White Inkjet Paper (FSC® certified) ⁸ 914 mm x 45.7 m (36 in x 150 ft)
	C6020B	HP Coated Paper ⁹ 914 mm x 45.7 m (36 in x 150 ft)
	C6030C	HP Heavyweight Coated Paper ⁹ 914 mm x 30.5 m (36 in x 100 ft)
	C3875A	HP Clear Film ⁹ 914 mm x 30.5 m (36 in x 75 ft)
Service and support	UC744E	HP Network Installation Service
	U9JW8E	HP Monthly NBD* Onsite Support
	U8TY8E	HP 2 year NBD* Onsite Support
	U8PH3E	HP 3 year NBD* Onsite Support
	U8TY9E	HP 4 year NBD* Onsite Support
	U8PH4E	HP 5 year NBD* Onsite Support
	U8PH5PE	HP 1 year Post Warranty NBD* Onsite Support
	U8TZ0PE	HP 2 year Post Warranty NBD* Onsite Support

* Next Business Day.

HP DesignJet Support Services offer solutions for business critical environments — installation, extended support and maintenance, as well as a variety of value-added services. For more information, please visit hp.com/go/designjetsupport.

Use **Original HP inks**, printheads and large format printing materials to experience consistent high quality and reliable performance that enable less downtime. These critical components are designed and engineered together as an optimized printing system to provide precise line accuracy as well as dark blacks. For more information, visit hp.com/go/OriginalHPInks.

For the entire **HP Large Format Printing Materials** portfolio, please see HPLFMedia.com.

Eco Highlights



- ENERGY STAR® certified and EPEAT Silver registered¹⁰
- Free, convenient HP ink cartridge recycling¹¹
- FSC®-certified papers⁸ and a range of recyclable HP media with a take back program¹¹

Please recycle large-format printing hardware and printing supplies.

Find out how at our website
hp.com/ecosolutions

⁵ Mechanical printing time. Printed in Fast mode with Economode on, using HP Bright White Inkjet Paper (bond) and Original HP inks.

⁶ +/- 0.1% of the specified vector length or +/- 0.2 mm (whichever greater) at 23°C (73°F), 50-60% relative humidity, on A0/E HP heavyweight media in Best or Normal mode with HP Matte Film.

⁷ Measured on HP Matte Film.

⁸ BMG trademark license code FSC®-C115319, see fsc.org. HP trademark license code FSC®-C017543, see fsc.org. Not all FSC®-certified products are available in all regions. For information about HP large format printing materials, please visit HPLFMedia.com.

⁹ Can be recycled through commonly available recycling programs.

¹⁰ EPEAT registered where applicable and/or supported. See epeat.net for registration status by country.

¹¹ Program availability varies. Please check hp.com/recycle for details. Many HP printing materials are recyclable through commonly available recycling programs. For information about HP large format printing materials, please visit HPLFMedia.com.

